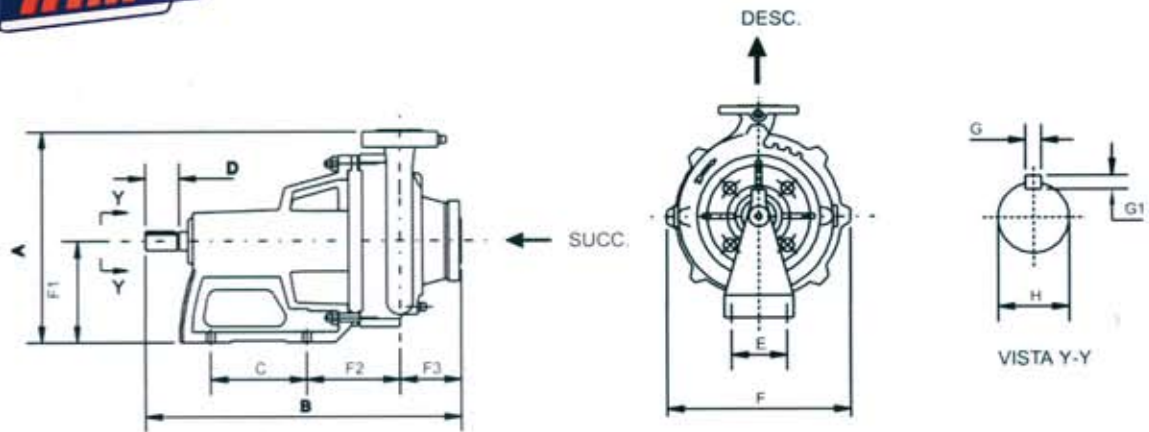




Eurolinea Eje Libre - Bare Shaft models



MODELOS EJE LIBRE - BARE SHAFT MODELS

| CENTRIFUGAS EUROLINEA EJE LIBRE | | | DIMENSIONES - DIMENSIONS L x W x H (mm) | | | | | | | | | | | PESO WEIGHT (kg) |
|---------------------------------|----------------|---------------|---|------|-----|-----|-----|-----|-----|-----|-----|-----------|----------------|------------------|
| MODELO MODEL | Soporte Rot No | Des x Succión | A | B | C | D | E | F | F1 | F2 | F3 | G x G1 | H | |
| 3x16 SM | 2 | 1,1/4"x2" | 325 | 470 | 161 | 52 | 125 | 250 | 160 | | 86 | 1/4"x1/4" | 28.59 28.57 | 41 |
| 3x18 SM | 2 | 1,1/4"x2,1/2" | 335 | 490 | 161 | 52 | 125 | 250 | 160 | 140 | 85 | 1/4"x1/4" | 28.59 28.57 | 48 |
| 3x20 SM | 2 | 1,1/4"x2" | 340 | 510 | 161 | 52 | 125 | 277 | 160 | 130 | 85 | 1/4"x1/4" | 28.59 28.57 | 42 |
| 3x26 PE | 2 | 1,1/4"x2" | 385 | 4480 | 161 | 52 | 125 | 320 | 160 | 150 | 100 | 1/4"x1/4" | 28.59 28.57 | 61 |
| 4x13 SM | 2 | 1,1/2"x2,1/2" | 335 | 490 | 161 | 52 | 125 | 242 | 160 | 130 | 82 | 1/4"x1/4" | 28.59 28.57 | 50 |
| 4x26 SM(*) | 3 | 1,1/2"x2,1/2" | 425 | 600 | 210 | 77 | 175 | 335 | 200 | 150 | 128 | 1/4"x1/4" | 31.77 31.75 | 77 |
| 4x31 PE | 2 | 1,1/2"x2,1/2" | 447 | 626 | 210 | 77 | 175 | 396 | 200 | 180 | 126 | 1/4"x1/4" | 31.77 31.75 | 102 |
| 5x13 SM | 2 | 2"x3" | 335 | 500 | 161 | 52 | 125 | 257 | 160 | 145 | 107 | 1/4"x1/4" | 28.59 28.57 | 41 |
| 5x20 SM | 2 | 2"x2,1/2" | 345 | 480 | 161 | 52 | 125 | 277 | 160 | 110 | 100 | 1/4"x1/4" | 28.59 28.57 | 46 |
| 5x25 SM | 2 | 2"x2" | 376 | 500 | 161 | 52 | 125 | 316 | 160 | 150 | 95 | 1/4"x1/4" | 28.59 28.57 | 58 |
| 5x26 PE | 2 | 2"x2,1/2" | 385 | 510 | 161 | 52 | 125 | 350 | 160 | 150 | 100 | 1/4"x1/4" | 28.59 28.57 | 67 |
| 5x31 PE | 3 | 2"x2,1/2" | 465 | 600 | 210 | 77 | 175 | 400 | 200 | 175 | 107 | 1/4"x1/4" | 31.77 31.75 | 102 |
| 6x26 PE | 2 | 2,1/2"x3" | 410 | 510 | 161 | 52 | 125 | 365 | 160 | 155 | 100 | 1/4"x1/4" | 31.77 31.75 | 74 |
| 6x31 PE | 3 | 2,1/2"x3" | 480 | 620 | 210 | 77 | 175 | 347 | 200 | 185 | 126 | 1/4"x1/4" | 31.77 31.75 | 121 |
| 8x31 PE | 3 | 3"x4" | 535 | 620 | 210 | 77 | 175 | 448 | 200 | 170 | 126 | 1/4"x1/4" | 31.77 31.75 | 120 |
| 8x40x2 PE | 3 | 3"x4" | 560 | 685 | 210 | 77 | 175 | 440 | 200 | 140 | 103 | 1/4"x1/4" | 31.77 31.75 | 120 |
| 10x16 SM | 2 | 4"x4" | 400 | 528 | 161 | 52 | 125 | 333 | 160 | 150 | 119 | 1/4"x1/4" | 28.59 28.57 | 66 |
| 10x40 PE | 4 | 4"x5" | 602 | 682 | 250 | 110 | 205 | 552 | 250 | 210 | 142 | 1/2"x3/8" | 41.29 41.27 | 175 |
| 12x25 PE | 3 | 5"x6" | 577 | 614 | 210 | 77 | 175 | 443 | 200 | 140 | 129 | 1/4"x1/4" | 31.77 31.75 | 92 |
| 12x40 PE | 4 | 5"x6" | 686 | 683 | 250 | 110 | 205 | 580 | 250 | 150 | 140 | 1/2"x3/8" | 41.29 41.27 | 180 |
| 15x40 PE | 5 | 6"x8" | 746 | 862 | 330 | 140 | 285 | 595 | 300 | 140 | 140 | 1/2"x3/8" | 55.00 55.02 | 215 |
| 20x23 PE | 4 | 8"x8" | 605 | 800 | 250 | 110 | 205 | 612 | 250 | 205 | 248 | 1/2"x3/8" | 41.29 41.27 | 215 |

PE (Prensa Estopa) - SM (Sello Mecánico)