

Ficha Técnica

168F-2 CUÑA

Referencia: 88651C0066

Información Técnica

Marca	Katsu Power
Potencia	6.5
Velocidad	3600
Cilindrada	196
Versión	Gasolina
Filtro de aire	Papel
Tipo de Cigüeñal	Cuña 3/4 Pulg. •
Tipo de Enfriamiento	Aire
Tipo de Arranque	Retráctil YO-YO
Peso	17 Kg
Dimensiones	0.418/0.376/0.427 Mts

Cotizado por: _____

Teléfono: _____

Valor: _____



Características

Tipo OHV.
Económico y de gran desempeño.
Bajo nivel de vibración y ruido.
Fácil Mantenimiento.
Repuestos disponibles y económicos.
Monocilíndrico.
Respaldo Ignacio Gómez IHM.

Especificaciones

Velocidad de 3600 RPM.
Cigüeñal tipo Cuña ¾".
Enfriamiento por aire.
Encendido Retráctil (YO-YO).
Valvula sobre la culata.
Indicador de bajo nivel de aceite.
Gasolina version 6.5 HP.

Aplicaciones

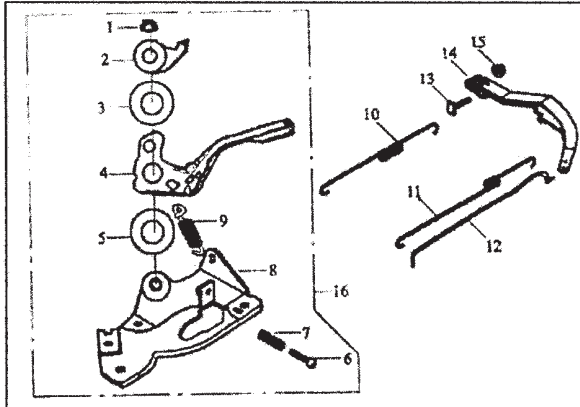
Industria: Motobombas, bandas trasportadoras, compresores de pistón, plantas eléctricas, maquinaria en general.

Construcción: Mezcladoras, maracates, grúas plumas, vibradoras de aguja, reglas vibradoras, vibrocompactadoras, apisonadoras, asfaltaradoras, cortadoras de ladrillo, concreto y cemento, allanadoras.

Agro: Motobombas, picapastos, molinos, forrajeras, cortadoras de césped, desfibradora, maquinaria para tubérculos, clasificadoras de grano, trilladoras, despulpadoras de café, ordeño.

Otros: Kartismo, maquinas para conos y algodón de azúcar.

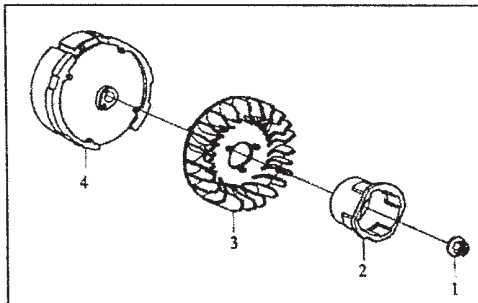
E-11 REGULATING CONTROL SYSTEM



Ref. No.	Part. No.	Description	Quantity
1	GB6173-86	Nut M6	1
2	26414/168F	Setting panel	1
3	26418/168F	Spring patch	1
4	26412/168F	Handgrip	1
5	26419/168F	Washer	1
6	GB818-85-H	Bolt M5 X 25	1
7	26415/168F	Regulating spring	1
8	26420/168F	Support panel assy	1
9	26416/168F	Spring	1
* 10	26363	Back spring	1
	26363/(168F)	Back spring	1
11	26364/168F	Fine regulation spring	1
12	26341/168F	Pulling rod	1
13	26362/168F	Lock bolt	1
14	26331/168F	Regulating arm	1
15	GB6177-86	Nut M6	1
16	26410/168F	Regulating frame assy	1

* ACCORDING ENGINE MODEL

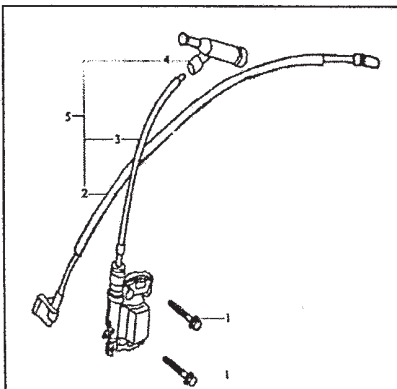
E-12 FLYWHEEL



Ref. No.	Part. No.	Description	Quantity
1	27515/168F	Nut M 14 x 1.5	1
2	27370/168F	Starting flange	1
3	19722/168F	Flywheel fan	1
* 4	27500	Flywheel	1
	27500/(168F)	Flywheel	1

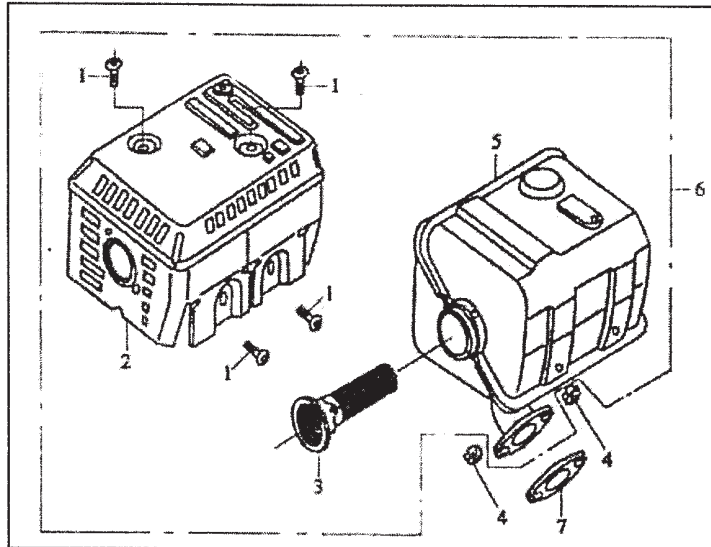
* ACCORDING ENGINE MODEL

E-13 IGNITION COIL



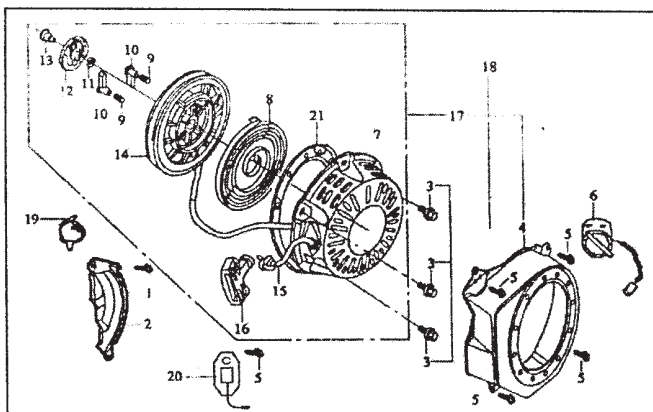
Ref. No.	Part. No.	Description	Quantity
1	GB5787-86	Screw M6 x 25	2
2	34410/168F	Engine stop cable	1
3	34510/168F	Ignition coil	1
4	34310/168F	Spark plug cap	1
5	34500/168F	Ignition coil assy	1

E-9 MUFFLER



Ref. No.	Part. No.	Description	Quantity
1	GB5787-86	Screw M5x8	4
2	18600/168F	Muffler hood	1
3	18310/168F	Spark extinguisher	1
4	GB6170-86	Nut M8	2
5	18300/168F	Muffler	1
6	18000/168F	Exhaust muffler	1
7	12255/168F	Exhaust gasket	1

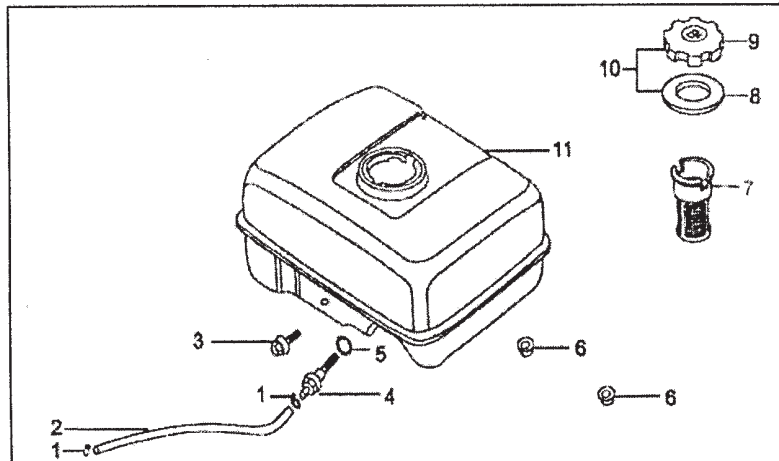
E-10 RECOIL STARTER



Ref. No.	Part. No.	Description	Quantity
1	GB5787-86	Bolt M6 x 22	1
2	19810/168F	Crankcase side plate assy	1
3	GB5787-86	Bolt M6 x 18	3
* 4	19710	Fan hood assy	1
	19710/(168F)	Fan hood assy	1
5	GB5787-86	Bolt M6 x 12	5
6	35410/168F	Engine switch	1
7	27380/168F	Casing	1
8	27319/168F	Spiral spring	1
9	27312/168F	Ratchet spring	2
10	27331/168F	Ratchet	2
11	27311/168F	Friction spring	1
12	27341/168F	Spring lid	1
13	27315/168F	Set screw	1
14	27351/168F	Starter rolls	1
15	27313/168F	Rope	1
16	27361/168F	Pulling handle	1
17	27300/(168F)	Recoil starter	1
18	27100	Recoil starter assy	1
19	32211/168F	Plastic clip	1
20	37850/168F	Diode	1
21	27390	Rim	1

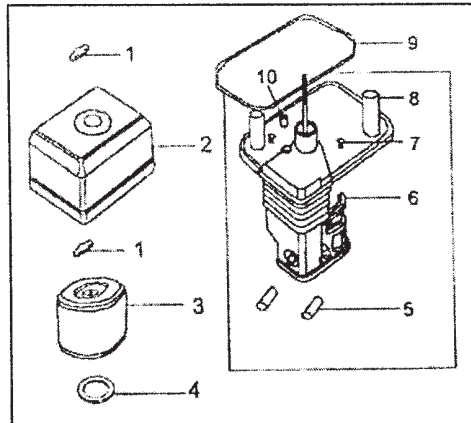
* ACCORDING ENGINE MODEL

E-7 FUEL TANK ASSY



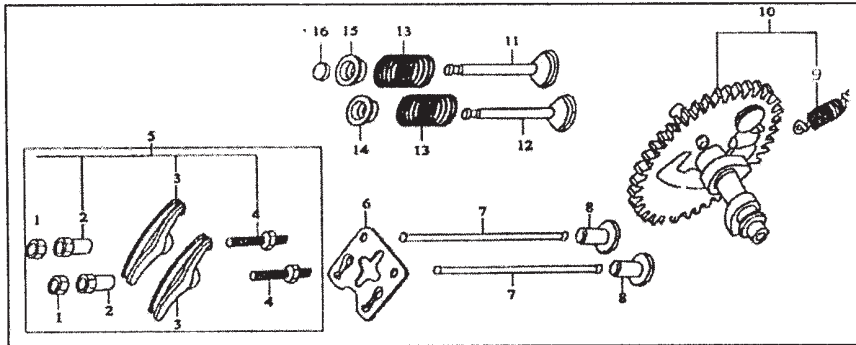
Ref. No.	Part. No.	Description	Quantity
1	16937/168F	Pipe clamp	2
2	16931/168F	Outlet pipe	1
3	GB5787-86	Bolt M6x22	1
4	16950/168F	Connector	1
5	16961/168F	Packing ring	1
6	GB6177-86	Nut M6	2
7	16916/168F	Filter cup	1
8	16521/168F	Packing ring	1
9	16510/168F	Fuel filter cap	1
10	16500/168F	Fuel filler cap with packing ring	1
11	16610/168F	Fuel tank	1

E-8 AIR CLEANER ASSY



Ref. No.	Part. No.	Description	Quantity
1	GB62-88	Wing nut	2
2	17111/168F	Air cleaner cover	1
3	17130/168F	Filter element	1
4	17125/168F	Washer	1
5	17126/168F	Sleeve A	2
6	17131/168F	Air cleaner Housing	1
7	GB3115-82	Screw M5x12	2
8	17141/168F	Air cleaner base	1
9	17145/168F	Gasket	1
10	17146/168F	Sleeve B	1

E-5 COMBINATION OF CAM SHAFT & VALVE ROCKER

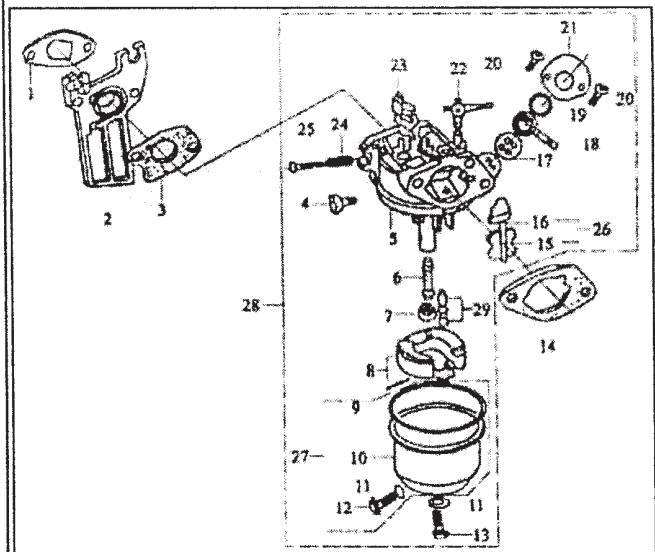


Ref. No.	Part. No.	Description	Quantity
1	14416/168F	Lock nut	2
2	14413/168F	Sleeve	2
3	14411/168F	Valve rocker	2
4	14415/168F	Adjusting bolt for valve gap	2
5	14410/168F	Valve rocker assy	2
6	14261/168F	Pusher guide	1
7	14250/168F	Pusher	2
* 8	14455	Tappet	2
	14455/(168F)	Tappet	2
9	14146/168F	Extension spring	1
* 10	14100	Camshaft Assy	1
	14100/168F	Camshaft Assy	1
11	14721/168F	Exhaust valve	1
12	14711/168F	Intake valve	1
13	14755/168F	Valve spring	2
14	14751/168F	Spring seat, intake valve	1
15	14757/168F	Spring seat, exhaust valve	1
16	14758/168F	Cap	1

* ACCORDING ENGINE MODEL

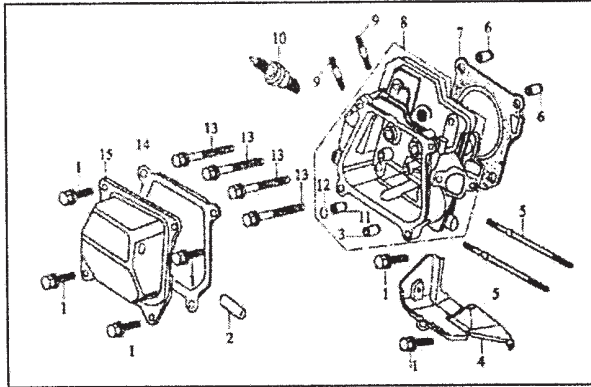
E-6 CARBURETOR ASSY

Ref. No.	Part. No.	Description	Quantity
1	12254/168F	Inlet gasket	1
2	16141/168F	Connecting block	1
3	16142/168F	Carburetor gasket	1
4	16421/168F	Idle adjustment screw	1
5	16250/168F	Mixture chamber body	1
* 6	16251	Main nozzle	1
	16251/(168F)	Main nozzle	1
7	16254/168F	Main jet	1
8	16230/168F	Float	1
9	16219/168F	Float chamber gasket	1
10	16211/168F	Float chamber	1
11	16216/168F	Washer	2
12	16215/168F	Float chamber drain screw	1
13	16213/168F	Screw	1
14	17330/168F	Air cleaner gasket	1
15	16331/168F	Choke	1
16	16332/168F	Choke stem	1
17	16312/168F	Airproof washer	1
18	16311/168F	Throttle level	1
19	16313/168F	Washer	1
20	GB5787-86	Screw M4	2
21	16314/168F	Cover	1
22	16148/168F	Choke switch	1
* 23	16280	Throttle unit	1
	16280/(168F)	Throttle unit	1
24	16422/168F	Spring, mixture adjustment screw	1
25	16425/168F	Mixture adjustment screw	1
26	16330/173F	Choke unit	1
27	16210/173F	Float chamber	1
* 28	16100	Carburetor Assy	1
	16100/(168F)	Carburetor Assy	1
29	16240/168F	Float needle	1



* ACCORDING ENGINE MODEL

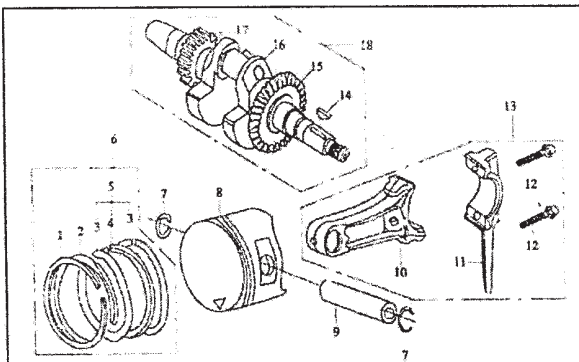
E-3 CYLINDER HEAD & CYLINDER HEAD COVER ASSY



Ref. No.	Part. No.	Description	Quantity
1	GB5787-86	Bolt M6x12	6
2	20651/168F	Air duck	1
3	12214/168F	Intake valve guide	1
4	19721/168F	Lead wind cover	1
5	12252/168F	Stud M6x113	2
6	12218/168F	Set pin Ø10x16	2
* 7	12221	Gasket, cylinder head	1
	12221/(168F)	Gasket, cylinder head	1
* 8	12210	Cylinder head Assy	1
	12210/(168F)	Cylinder head Assy	1
9	12253/168F	Stud M8x34	2
10	34200/168F	Spark plug F6RTC	1
11	12215/168F	Exhaust valve guide	1
12	12219/168F	Circlip	1
13	12256/168F	Bolt	4
14	12312/168F	Gasket, cylinder head cover	1
15	12310	Cylinder head cover	1

* ACCORDING ENGINE MODEL

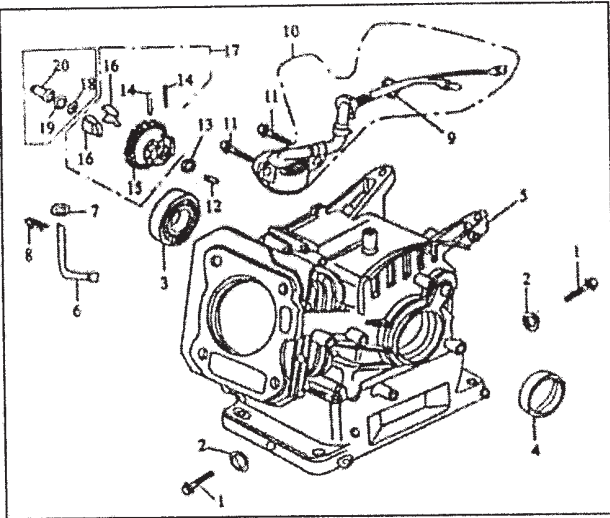
E-4 CRANKSHAFT, PISTON & CONNECTING



Ref. No.	Part. No.	Description	Quantity
1	13311/168F	Piston ring (I)	1
2	13312/168F	Piston ring (II)	1
3	13322/168F	Side rail	2
4	13321/168F	Expander	1
5	13320/168F	Scraper ring set	1
6	13300/168F	Piston ring assy	1
7	13222/168F	Piston pin circlip	2
8	13211/168F	Piston	1
9	13221/168F	Piston pin	1
10	13131/168F	Shank	1
11	13132/168F	Connecting rod cover	1
12	13133/168F	Bolt	2
13	13130/168F	Connecting rod assy	1
14	13118/168F	Woodruff key	1
15	25111/168F	Drive gear	1
16	13111	Crankshaft	1
	13111/(168F)	Crankshaft	1
17	14211/168F	Timing driving gear	1
* 18	13110	Crankshaft assy	1
	13110/(168F)	Crankshaft assy	1

* ACCORDING ENGINE MODEL

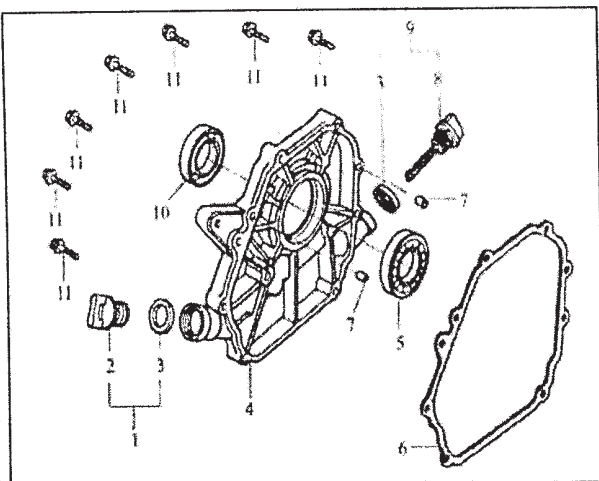
E-1 CRANKCASE ASSY



Ref. No.	Part. No.	Description	Quantity
1	11212/168F	Drain plug	2
2	11213/168F	Washer	2
3	GB276-89	Bearing 6205	1
4	13180/168F	Oil seal, crankshaft	1
* 5	11100	Crankcase	1
	11100/(168F)	Crankcase	1
6	26311/168F	Regulating sway bar	1
7	26329/168F	Washer	1
8	26321/168F	Split pin	1
9	GB6177-86	Nut M10	1
10	37810/168F	Oil sensor	1
11	GB5787-86	Bolt M6x14	2
12	25151/168F	Regulating shaft	1
13	25165/168F	Washer, driven gear	1
14	25163/168F	Pin	2
15	25121/168F	Driven gear, regulator	1
16	25141/(168F)	Flying block	2
17	25120/(168F)	Driven gear assy, regulator	1
18	25164/168F	Snap ring	1
19	25132/168F	Washer	1
20	25131/168F	Sliding sleeve	1

* ACCORDING ENGINE MODEL

E-2 CRANKCASE COVER ASSY



Ref. No.	Part. No.	Description	Quantity
1	15650/168F	Oil plug with Seal	1
2	15651/168F	Oil plug	1
3	15612/168F	Seal	2
4	11311/168F	Crankcase cover	1
5	GB276-89	Bearing 6205	1
6	11119/168F	Gasket, crankcase	1
7	11118/168F	Set pin	2
8	15611/168F	Dipstick	1
9	15610/168F	Dipstick with seal	1
10	13180/168F	Oil seal, crankcase	1
11	GB5787-86	Bolt M8x32	7