

Ficha Técnica

173F CUÑA F.A.

Referencia: 8970900066

Información Técnica

Marca	Katsu Power
Potencia	8
Velocidad	3600
Cilindrada	242
Versión	Gasolina
Filtro de aire	Aceite
Tipo de Cigüeñal	Cuña 1 Pulg.
Tipo de Enfriamiento	Aire
Tipo de Arranque	Retráctil YO-YO
Peso	26 Kg
Dimensiones	0.460/0.430/0.502 Mts

Cotizado por: _____

Teléfono: _____

Valor: _____



Características

Tipo OHV.
Económico y de gran desempeño.
Bajo nivel de vibración y ruido.
Fácil Mantenimiento.
Repuestos siempre disponibles y económicos.
Monocilíndrico.
Respaldo Ignacio Gómez IHM.

Especificaciones

Velocidad de 3600 RPM.
Cigüeñal tipo Cuña 1".
Enfriamiento por aire.
Encendido Retráctil (YO-YO).
Valvula sobre la culata.
Indicador de bajo nivel de aceite.
Gasolina version 8.0 HP.

Aplicaciones

Industria: Motobombas, bandas transportadoras, compresores de pistón, plantas eléctricas, maquinaria en general.

Construcción: Mezcladoras, maracates, grúas plumas, vibradoras de aguja, reglas vibradoras, vibrocompactadoras, apisonadoras, asfaltadoras, cortadoras de ladrillo, concreto y cemento, allanadoras.

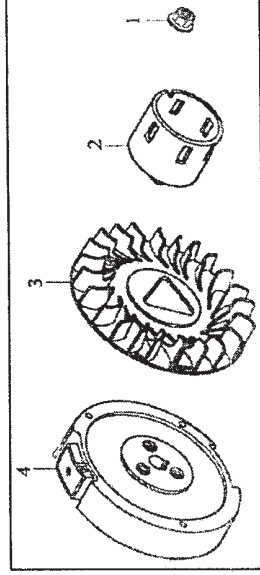
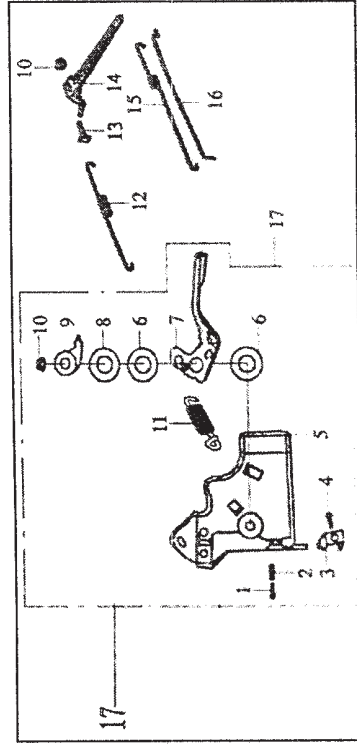
Agro: Motobombas, picapastos, molinos, forrajeras, cortadoras de césped, desfibrador, maquinaria para tubérculos, clasificadoras de grano, trilladoras, despulpadoras de café, ordeño.

Otros: Kartismo, maquinas para conos y algodón de azúcar.

E-11 REGULATING CONTROL SYSTEM



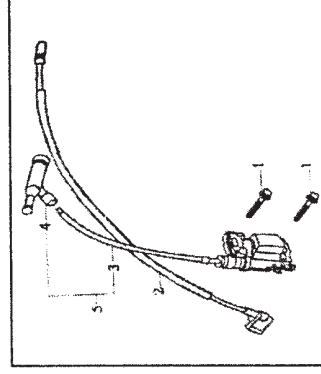
E-12 FLYWHEEL



Ref. No.	Part. No.	Description	Quantity
1	27515	Nut M16x1.25	1
2	27370	Starting flange	1
3	19722	Flywheel fan	1
4	27500	Flywheel	1

Ref. No.	Part. No.	Description	Quantity
1	GB818-85-H	Bolt M5x35	1
2	26415	Regulating spring	1
3	26422	Clamp	1
4	GB5787-86	Bolt M6x12	1
5	26421	Support panel	1
6	26419	Washer	2
7	26412	Handgrip	1
8	26418	Spring patch	1
9	26414	Setting panel	1
10	GB6177-86	Nut M6	2
11	26416	Spring	1
12	26363	Back spring	1
13	26362/168F	Lock bolt	1
14	26331	Regulating arm	1
15	26364	Fine regulating spring	1
16	26341	Pulling rod	1
17	26410	Regulating frame assy	1

E-13 IGNITION COIL

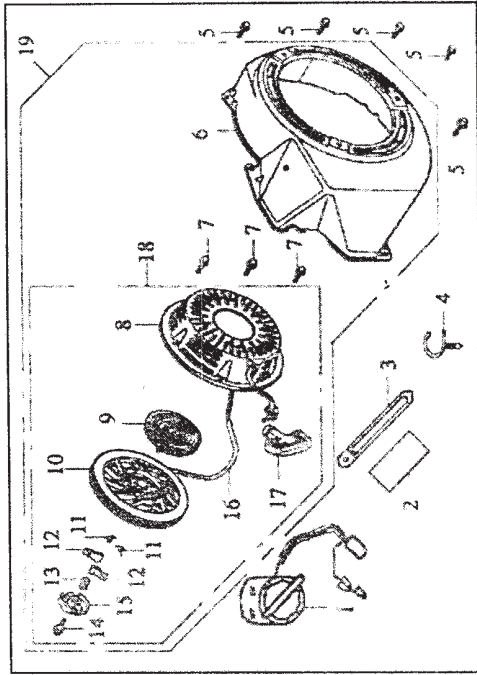
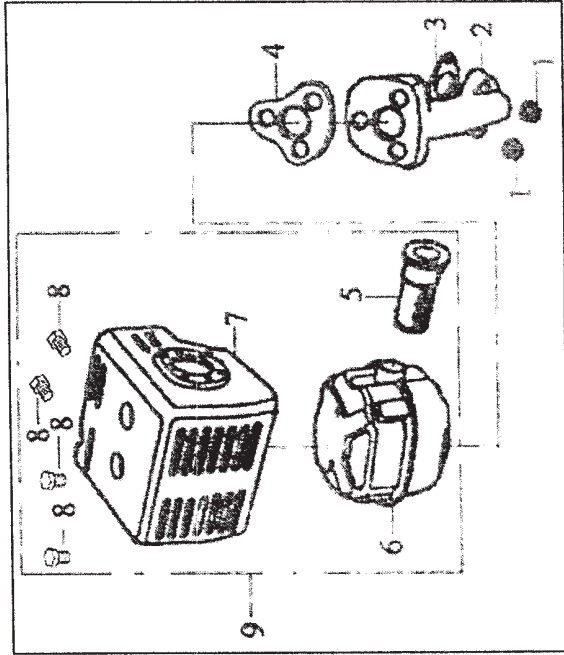


Ref. No.	Part. No.	Description	Quantity
1	GB5787-86	Screw M6x25	2
2	34410	Engine stop cable	1
3	34510	Ignition coil	1
4	34310	Spark plug cap	1
5	34500	Ignition coil assy	1

E-9 MUFFLER



E-10 RECOIL STARTER



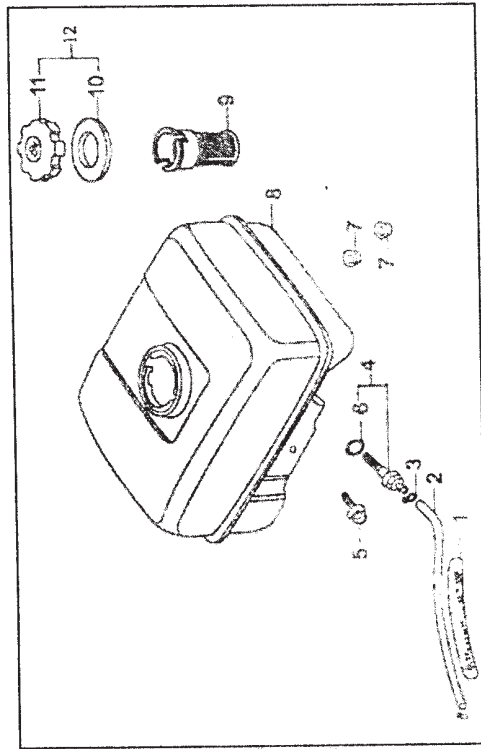
Ref. No.	Part. No.	Description	Quantity
1	GB6170-86	Nut M8	2
2	18111	Exhaust pipe	1
3	12255	Exhaust pipe gasket	1
4	18221	Muffler gasket	1
5	18310	Spark extinguisher	1
6	18300	Muffler	1
7	18600	Muffler hood assy	1
8	GB5787-86	Screw M5x8	4
9	18100	Muffler assy	1

Ref. No.	Part. No.	Description	Quantity
1	35410/168F	Engine switch	1
2	32412	Wire grommet	1
3	32413	Clip	1
4	16146	Plastic clip	1
5	GB5787-86	Bolt M6x12	5
6	19710	Fan hood assy	1
7	GB5787-86	Bolt M6x8	3
8	27380	Casing	1
9	27319	Spiral spring	1
10	27351	Starter rolls	1
11	27312	Ratchet spring	2
12	27331	Ratchet	2
13	27311	Friction spring	1
14	27315	Set screw	1
15	27341	Spring lid	1
16	27313/168F	Rope	1
17	27361/168F	Pulling handle	1
18	27300	Recoil starter	1
19	27100	Recoil starter assy	1

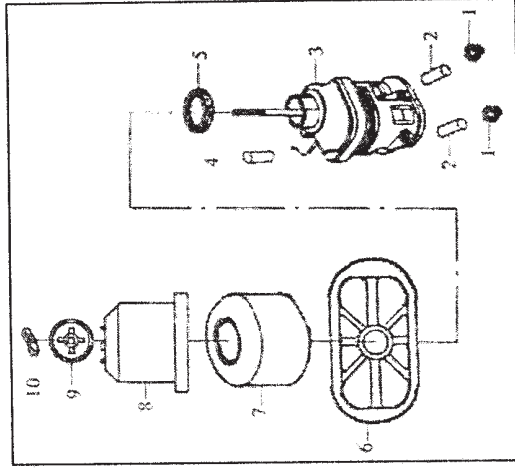
E-7 FUEL TANK ASSY



E-8 AIR CLEANER ASSY



Ref. No.	Part. No.	Description	Quantity
1	16933	Pipe	1
2	16931	Outlet pipe	1
3	16937/168F	Pipe clamp	2
4	16950/168F	Connector	1
5	GB5787-86	Bolt M8x25	1
6	16961/168F	Packing ring	1
7	GB6177-86	Nut M8	2
8	16610	Fuel tank	1
9	16916/168F	Filter cup	1
10	16521/168F	Packing ring	1
11	16510/168F	Fuel filler cap	1
12	16500/168F	Fuel filler cap with packing ring	1

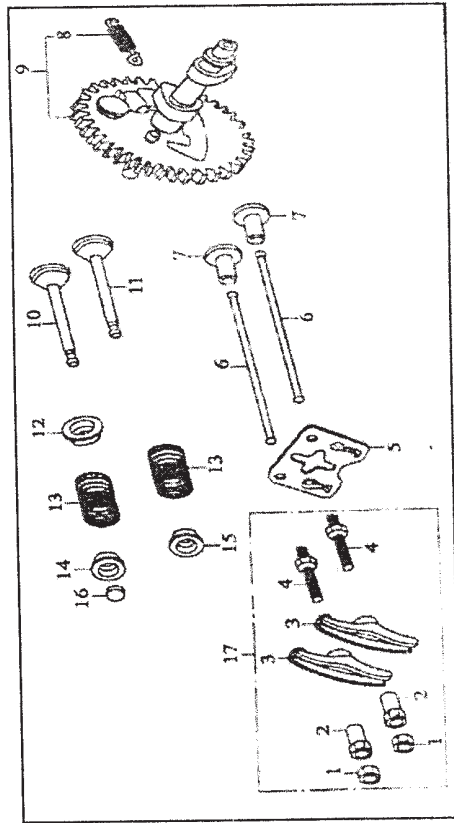


Ref. No.	Part. No.	Description	Quantity
1	GB6170-86	Nut M6	2
2	17126	Sleeve A	2
3	17131	Air cleaner housing	1
4	17146	Sleeve B	1
5	17145	Gasket	1
6	17141	Filter bracket	1
7	17132	Filter element	1
8	17111	Air cleaner cover	1
9	17112	Air cleaner lid	1
10	GB62-88	Wing nut	1

E-5 COMBINATION OF CAM SHAFT & VALVE ROCKER

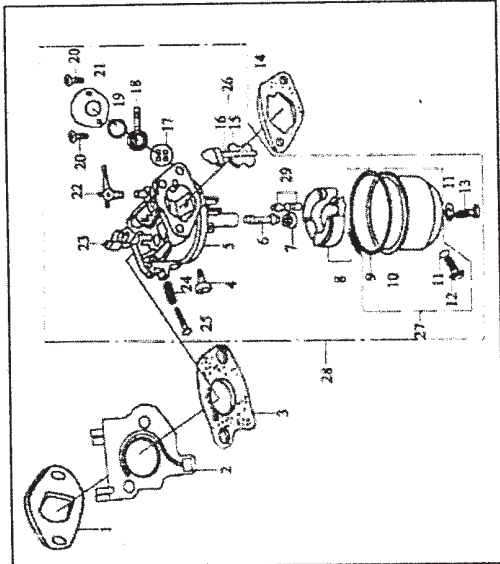


E-6 CARBURETOR ASSY



Ref. No.	Part. No.	Description	Quantity
1	14416	Lock nut	2
2	14413	Sleeve	2
3	14411	Valve rocker	2
4	14415	Adjusting bolt for valve gap	2
5	14261	Pusher guide	1
6	14250	Pusher	2
7	14455	Tapped	2
8	14146	Extension spring	1
9	14100	Camshaft assy	1
10	14721	Exhaust valve	1
11	14711	Intake valve	1
12	14753	Spring retainer, exhaust valve	1
13	14755	Valve spring	2
14	14757	Spring seat, exhaust valve	1
15	14751	Spring seat, intake valve	1
16	14758	Cap	1
17	14410	Valve rocker assy	1

* ACCORDING ENGINE MODEL

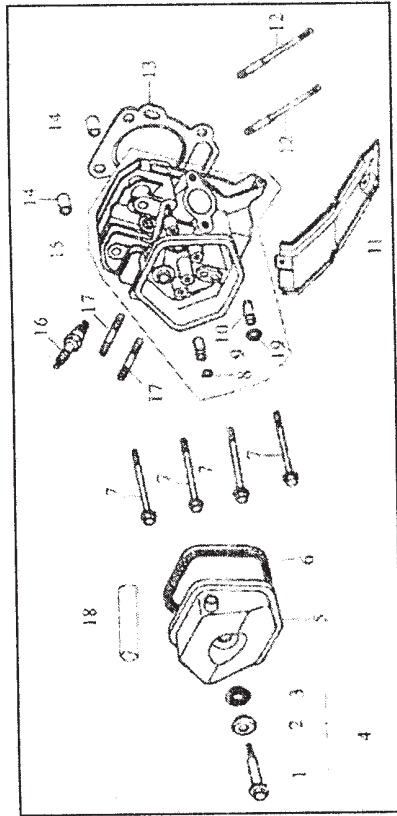


Ref. No.	Part. No.	Description	Quantity
1	12254	Inlet gasket	1
2	16141	Connecting block	1
3	16142	Carburetor gasket	1
4	16421/168F	Idle adjustment screw	1
5	16250	Mixture chamber body	1
6	16251	Main nozzle	1
7	16254	Main jet	1
8	16230	Float	1
9	16219	Float chamber gasket	1
10	16211	Float chamber	1
11	16216/168F	Washer	2
12	16215/168F	Float chamber drain screw	1
13	16213	Screw	1
14	17330	Air cleaner gasket	1
15	16331	Choke	1
16	16332	Choke stem	1
17	16312/168F	Airproof washer	1
18	16311/168F	Throttle lever	1
19	16313/168F	Washer	1
20	GB5787-86	Screw M4	2
21	16314/168F	Cover	1
22	16148	Choke switch	1
23	16280	Throttle unit	1
24	16422/168F	Spring, mixture adjustment screw	1
25	16425/168F	Mixture adjustment screw	1
26	16330	Choke unit	1
27	16210	Float chamber	1
* 28	16100	Carburetor Assy	1
	16100/177F	Carburetor Assy	1
* 29	16240	Float needle	1
	16240/177F	Float needle	1

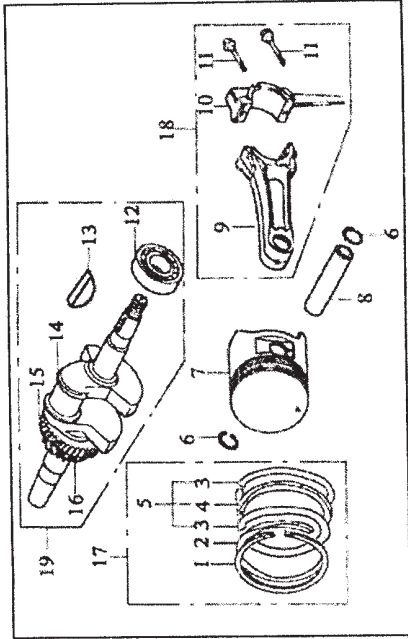
E-3 CYLINDER HEAD & CYLINDER HEAD COVER ASSY



E-4 CRANKSHAFT, PISTON & CONNECTING



Ref. No.	Part. No.	Description	Quantity
1	12411	Bolt	1
2	12412	Washer	1
3	12421	Rubber seal	1
4	12410	Bolt Assy	1
5	12310	Cylinder head cover Assy	1
6	12312	Gasket, cylinder head cover	1
7	12256	Bolt	4
8	12219	Circlip	1
9	12215	Exhaust valve guide	1
10	12214	Intake valve guide	1
11	19721	Lead wind cover	1
12	12252	Stud	2
* 13	12220	Gasket, cylinder head	1
	12220/177F	Gasket, cylinder head	1
14	12218	Set pin	2
15		Cylinder head Assy	1
16	34200	Spark plug F7RTC	1
17	12253	Stud	2
18	20651	Air duck	1
19	14730	Seal	1

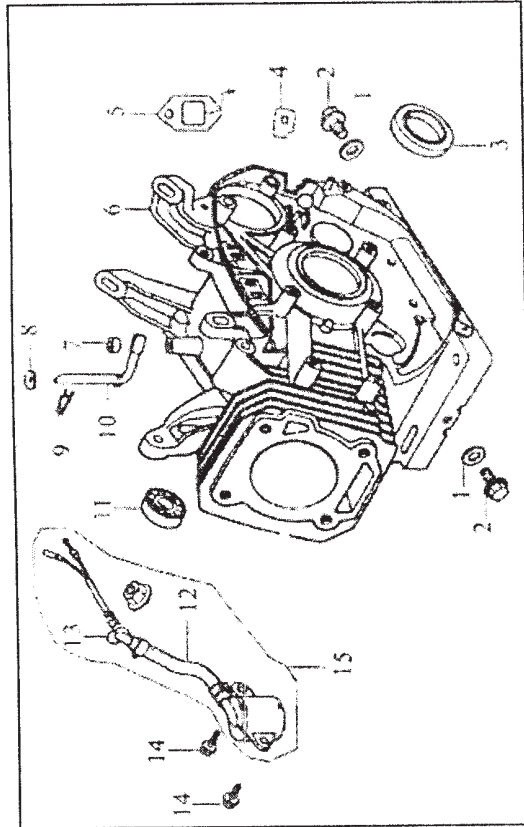


Ref. No.	Part. No.	Description	Quantity
* 1	13311	Piston ring (I)	1
	13311/177F	Piston ring (I)	1
* 2	13312	Piston ring (II)	1
	13312/177F	Piston ring (II)	1
* 3	13322	Side rail	2
	13322/177F	Side rail	2
* 4	13321	Expander	1
	13321/177F	Expander	1
* 5	13320	Scraper ring set	1
	13320/177F	Scraper ring set	1
6	13222	Scraper ring set	2
* 7	13211	Piston pin circlip	1
	13311/177F	Piston	1
8	13221	Piston	1
9	13131	Piston pin	1
10	13132	Shank	1
		Connecting rod cover	1
11	13133	Bolt	2
12	GB276-89	Bearing 6206	1
13	13118	Woodruff key	1
14	13111	Crankshaft	1
15	25111	Drive gear	1
16	14211	Timing driving gear	1
* 17	13300	Piston ring set	1
	13300/177F	Piston ring set	1
18	13130	Connecting rod Assy	1
19	13110	Crankshaft Assy	1

* ACCORDING ENGINE MODEL



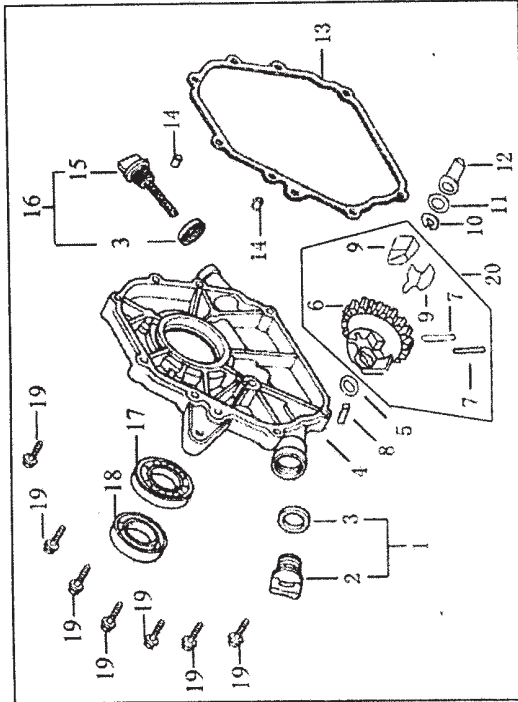
E-1 CRANKCASE ASSY



Ref. No.	Part. No.	Description	Quantity
1	11213	Washer	2
2	11212	Drain plug	2
3	13180	Oil seal, crankshaft	1
4	11124	Seal	1
5	37850/168F	Diode	1
*6	11100	Crankcase	1
	11100/177F	Crankcase	1
7	26390	Oil seal, regulating sway bar	1
8	26329	Washer	1
9	26321	Split pin	1
10	26311	Regulating sway bar	1
11	GB276-89	Bearing 6206	1
12	GB6177-86	Nut M10	1
13	GB3452,1-92	O-ring	1
14	GB5787-86	Bolt M6x14	2
15	37810173F	Oil Sensor	1

* ACCORDING ENGINE MODEL

E-2 CRANKCASE COVER ASSY



Ref. No.	Part. No.	Description	Quantity
1	15650	Oil plug with Seal	1
2	15651	Oil plug	1
3	15612	Seal	1
4	11311	Crankcase cover	1
5	25165	Washer, driven gear	1
6	25121	Driven gear, regulator	1
7	25163	Pin	2
8	25151	Regulating shaft	1
9	25141	Flying block	2
10	25164	Snap ring	1
11	25132/168F	Washer	1
12	25131	Sliding sleeve	1
13	11119	Gasket, crankcase	1
14	11118	Set pin	2
15	15611	Dipstick	1
16	15610	Dipstick with seal	1
17	GB276-89	Bearing 6206	1
18	13180	Oil seal, crankshaft	1
19	GB5787-86	Bolt M8x35	7
20	25120	Driven gear, regulator assy	1